

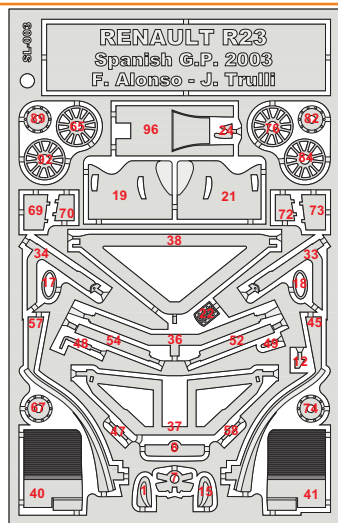
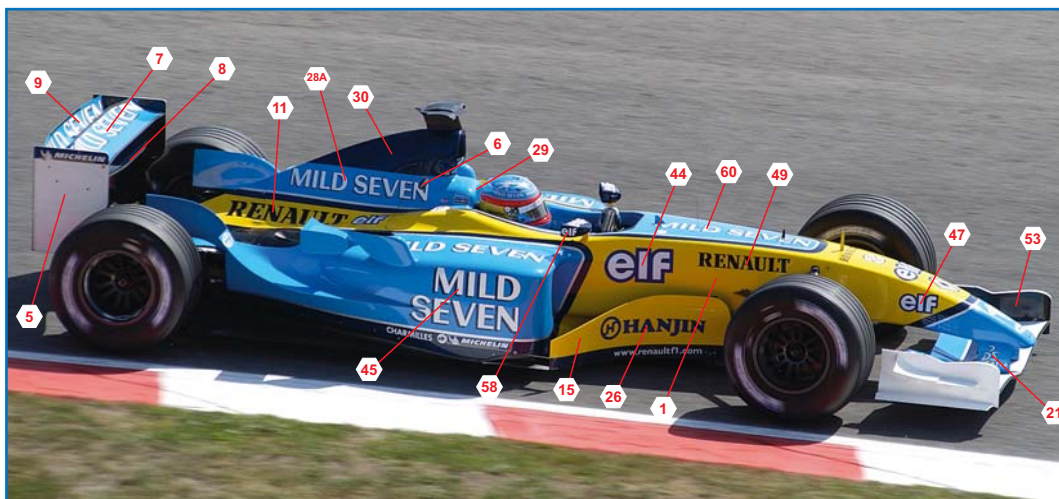
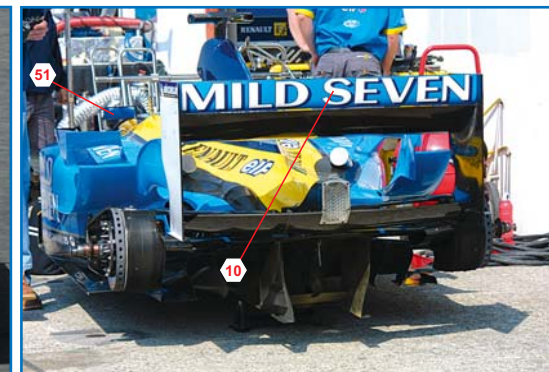
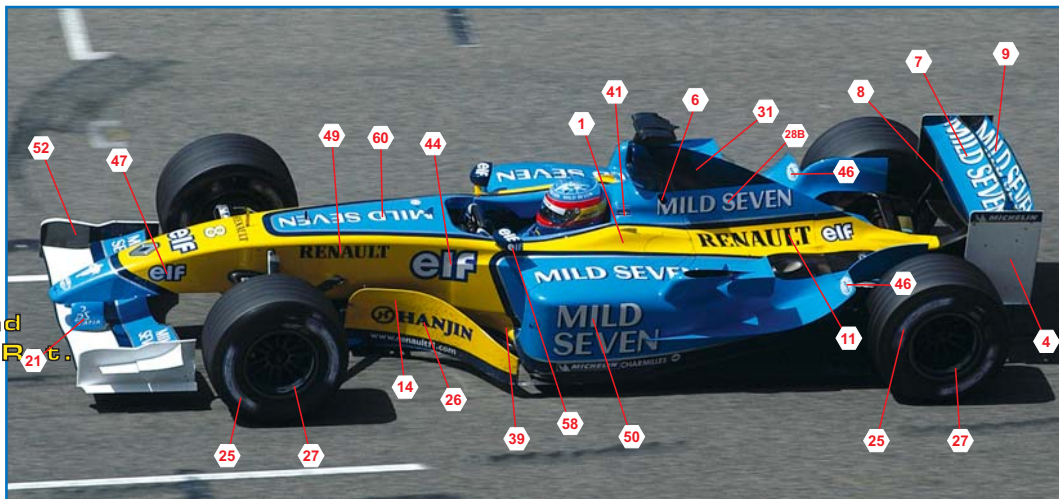
SilverLine

SLK007
RENAULT R23
SPANISH G.P. 2003

8 - F. Alonso
7 - J. Trulli



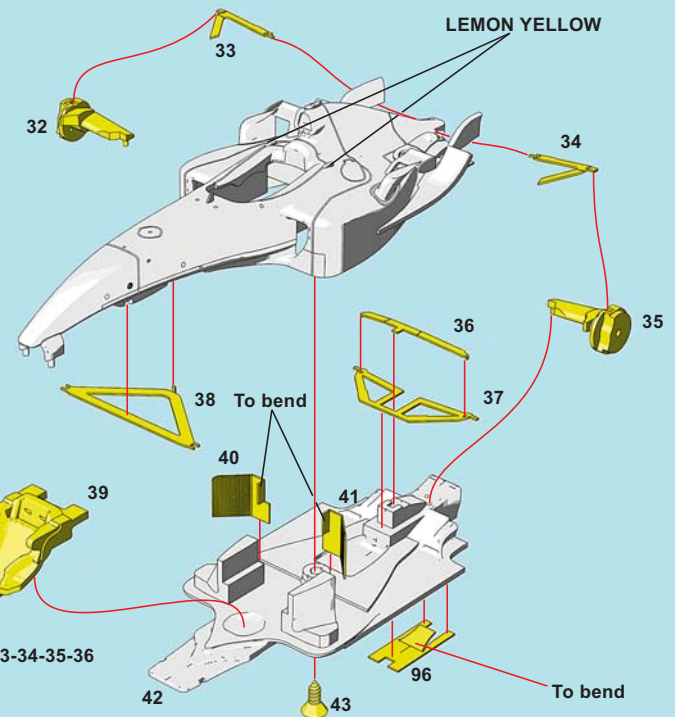
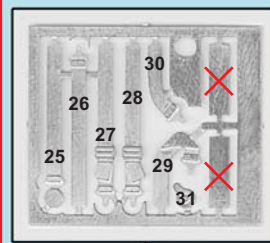
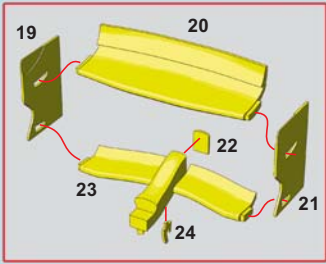
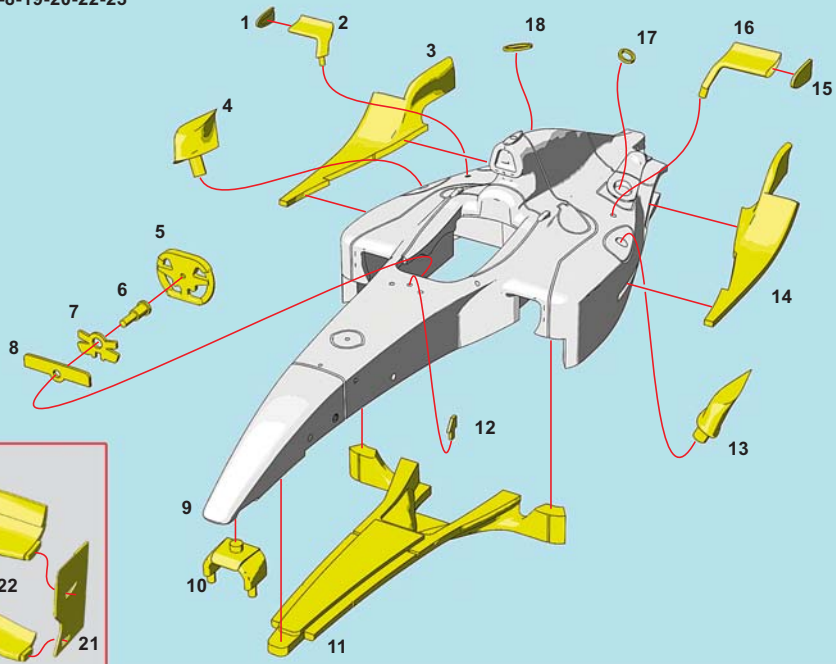
2nd
R21 G.P.



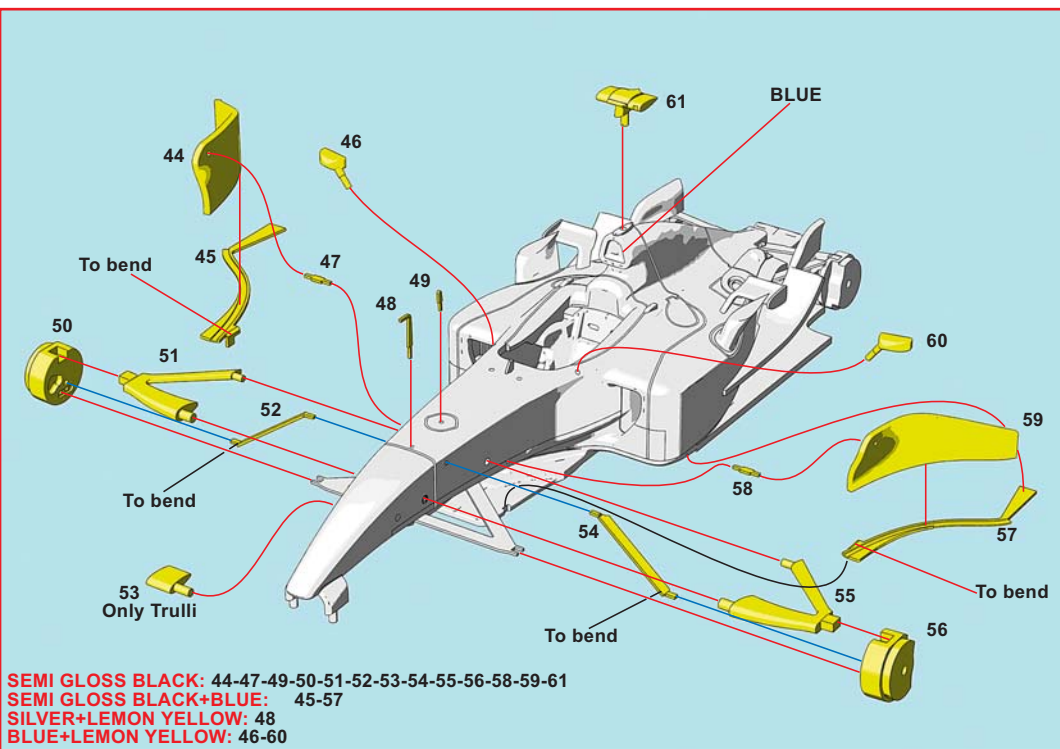
LIGHT BLUE: • FIAT 5021 KLM BLU LIGHT
 • PORCHE L39E/L3A6/58 RIVIERA BLAU

SEMI GLOSS BLACK: TAMIYA X-18
SILVER: TAMIYA X-11
GUN METAL: TAMIYA X-10
WHITE: TAMIYA X-2
MATT BLUE: HUMBROL N°8
BLUE: TAMIYA X-4
LEMON YELLOW: TAMIYA X-8

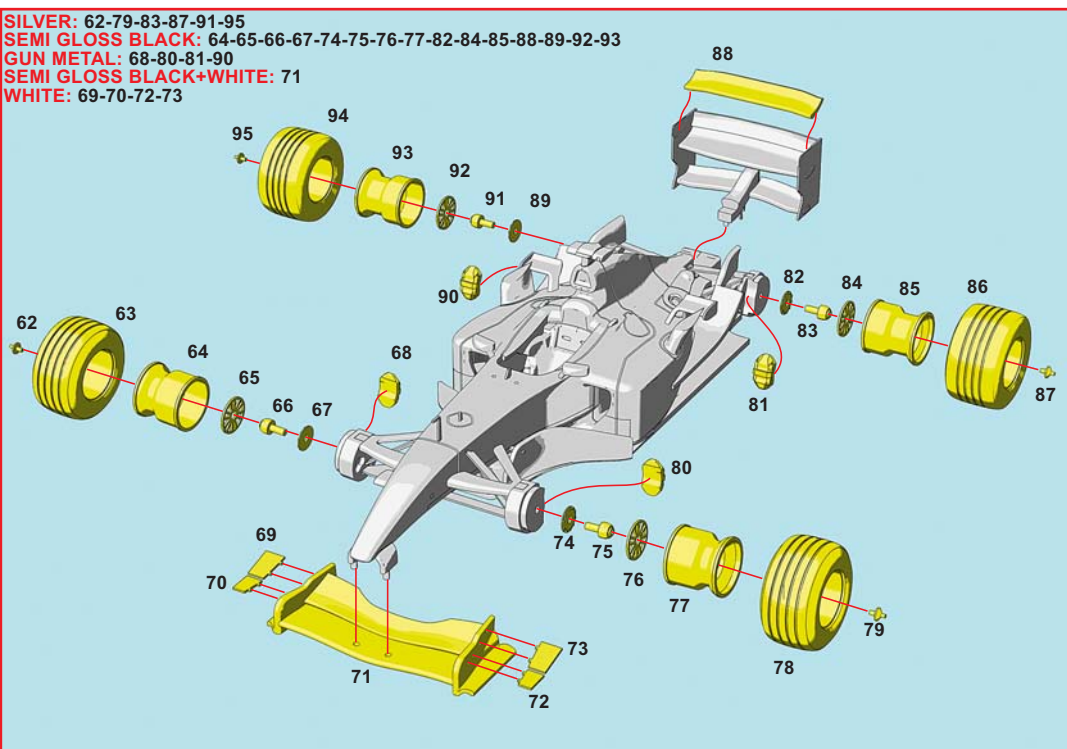
LIGHT BLUE: 1-2-3-4-9-10-11-12-13-14-15-16-17-18
SEMI GLOSS BLACK: 5-8-19-20-22-23
SILVER: 6-7-24



SEMI GLOSS BLACK: 37-38-39-42-96
SILVER: 31-40-41
MATT BLUE: 25-26-27-28-29-30



SEMI GLOSS BLACK: 44-47-49-50-51-52-53-54-55-56-58-59-61
SEMI GLOSS BLACK+BLUE: 45-57
SILVER+LEMON YELLOW: 48
BLUE+LEMON YELLOW: 46-60



SILVER: 62-79-83-87-91-95
SEMI GLOSS BLACK: 64-65-66-67-74-75-76-77-82-84-85-88-89-92-93
GUN METAL: 68-80-81-90
SEMI GLOSS BLACK+WHITE: 71
WHITE: 69-70-72-73